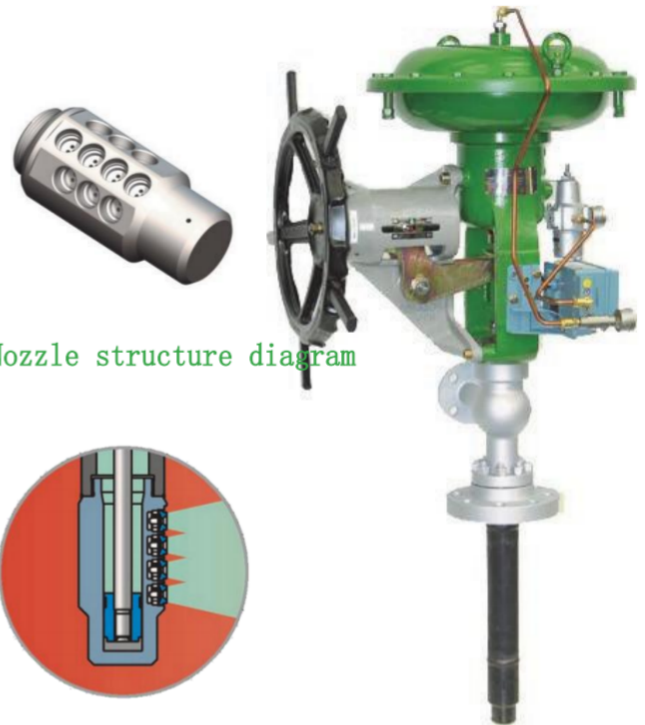


Parker temperature reducer

C-4442 series desuperheater

- ◆ This series is a high-performance, high-adjustability, multi-nozzle type desuperheater with an integrated structure for desuperheating water regulation and spray atomization.
- ◆ The nozzle, independent of the regulating slide plug, can achieve good water spray atomization even under minimum flow conditions. Various sizes of nozzles can achieve precise steam temperature control even under harsh conditions, such as low steam flow rates or low water-steam pressure differences.
- ◆ This built-in control system is small in size, highly stable, and easy to operate. The split valve body design makes it easy to change the spray direction and the orientation of the desuperheating water connection, and it is also easier to replace the valve seat.



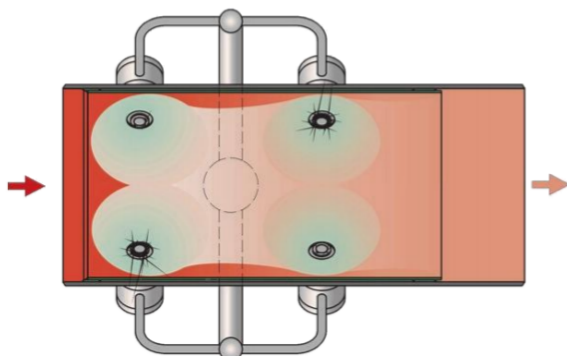
Nozzle structure diagram

3-4000 series desuperheater

- ◆ The 3-4000 series desuperheater achieves steam desuperheating by directly spraying desuperheating water into the superheated steam.
- ◆ The LV-type spring-loaded, variable-section desuperheating water atomizing nozzle boasts a high adjustable ratio and excellent water atomizing performance. Even at low flow rates, it ensures good atomizing performance through automatic adjustment by the spring.
- ◆ A variety of nozzle sizes are available, and multiple nozzles of the same size can be installed radially in the temperature reduction section to meet various requirements for temperature reduction and water spray volume.
- ◆ Under special operating conditions, an alloy steel lining can be built into the temperature reduction section.



LV type
variable cross-
section
desuperheating
water atomizing
nozzle





Contact us:

Ada Ban

TEL: +86 18612115236

E-Mail: banmy@bjafatech.com

Beijing Afa Trading Co., Ltd

<http://www.bjafatech.com/>

北京阿伐商贸有限公司

Beijing Afa Trading Co., Ltd

